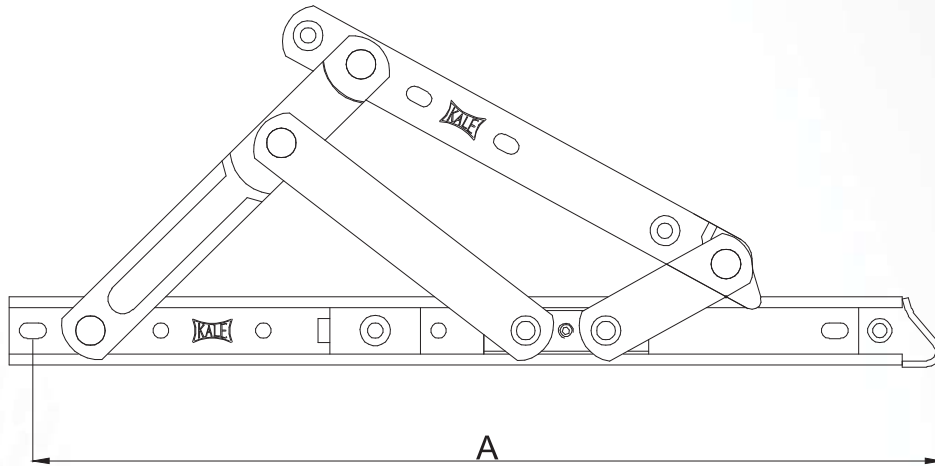


TURN-ONLY SYSTEMS - KALE ATLAS

Friction Stay



Atlas Heavy-Duty Stay Arm - 23 FHJ

No	Product Code	Product Name	A (mm)	Stay Arm Length (mm)	Max. Ventilation Height (mm)	Max. Ventilation Width (mm)	Maximum Load (kg)	Angle
1	1-45346-HJ-12	Atlas Heavy-Duty Stay Arm 23FHJ 12"	301.5	305	800	1200	50	30
2	1-45341-HJ-14	Atlas Heavy-Duty Stay Arm 23FHJ 14"	348.5	355	1000	1200	65	30
3	1-45333-HJ-16	Atlas Heavy-Duty Stay Arm 23FHJ 16"	409.5	406	1200	1200	82	25
4	1-45334-HJ-18	Atlas Heavy-Duty Stay Arm 23FHJ 18"	454.5	457	1400	1500	100	25
5	1-45342-HJ-20	Atlas Heavy-Duty Stay Arm 23FHJ 20"	508.5	508	1600	1600	108	20
6	1-45340-HJ-22	Atlas Heavy-Duty Stay Arm 23FHJ 22"	554.5	560	1800	1800	110	20
7	1-45335-HJ-24	Atlas Heavy-Duty Stay Arm 23FHJ 24"	598.5	610	1800	1800	120	15
8	1-45343-HJ-26	Atlas Heavy-Duty Stay Arm 23FHJ 26"	654.5	660	1900	2000	125	15
9	1-45336-HJ-28	Atlas Heavy-Duty Stay Arm 23FHJ 28"	703.5	711	2000	2000	130	15

Atlas Heavy-Duty Stay Arm Accessories

No	Product Code	Product Name
1	1-45337-00	Atlas Heavy-Duty Stay Arm Angle Limiter FCB200 10.5"
2	1-45338-00	Atlas Heavy-Duty Stay Arm Adjustment Piece

Atlas Parallel Friction Stay-EZPH200

No	Product Code	Product Name	Stay Arm Length (mm)	Max. Ventilation Height (mm)	Max. Ventilation Width (mm)	Maximum Load (kg)	Angle
1	1-45344-20	Atlas Parallel Friction Stay EZPH200 20"	508	1000	1400	50	-
2	1-453420-37	Atlas Parallel Friction Stay EZPH200 37"	940	2000	2000	150	-