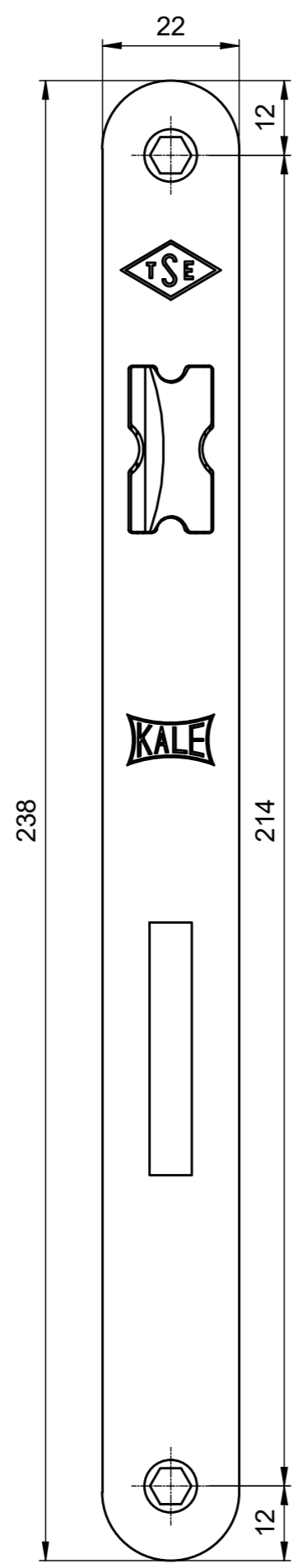
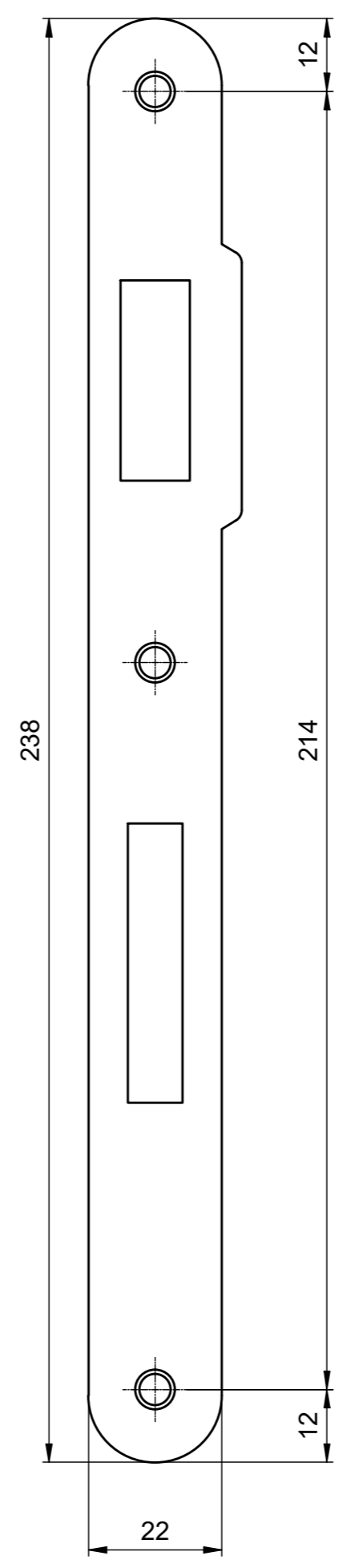
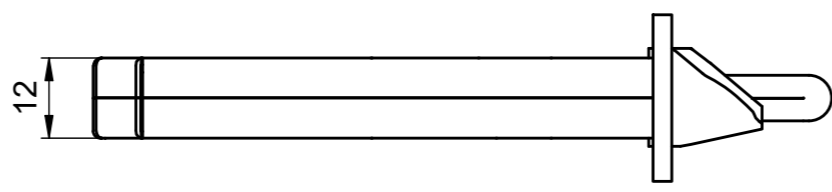
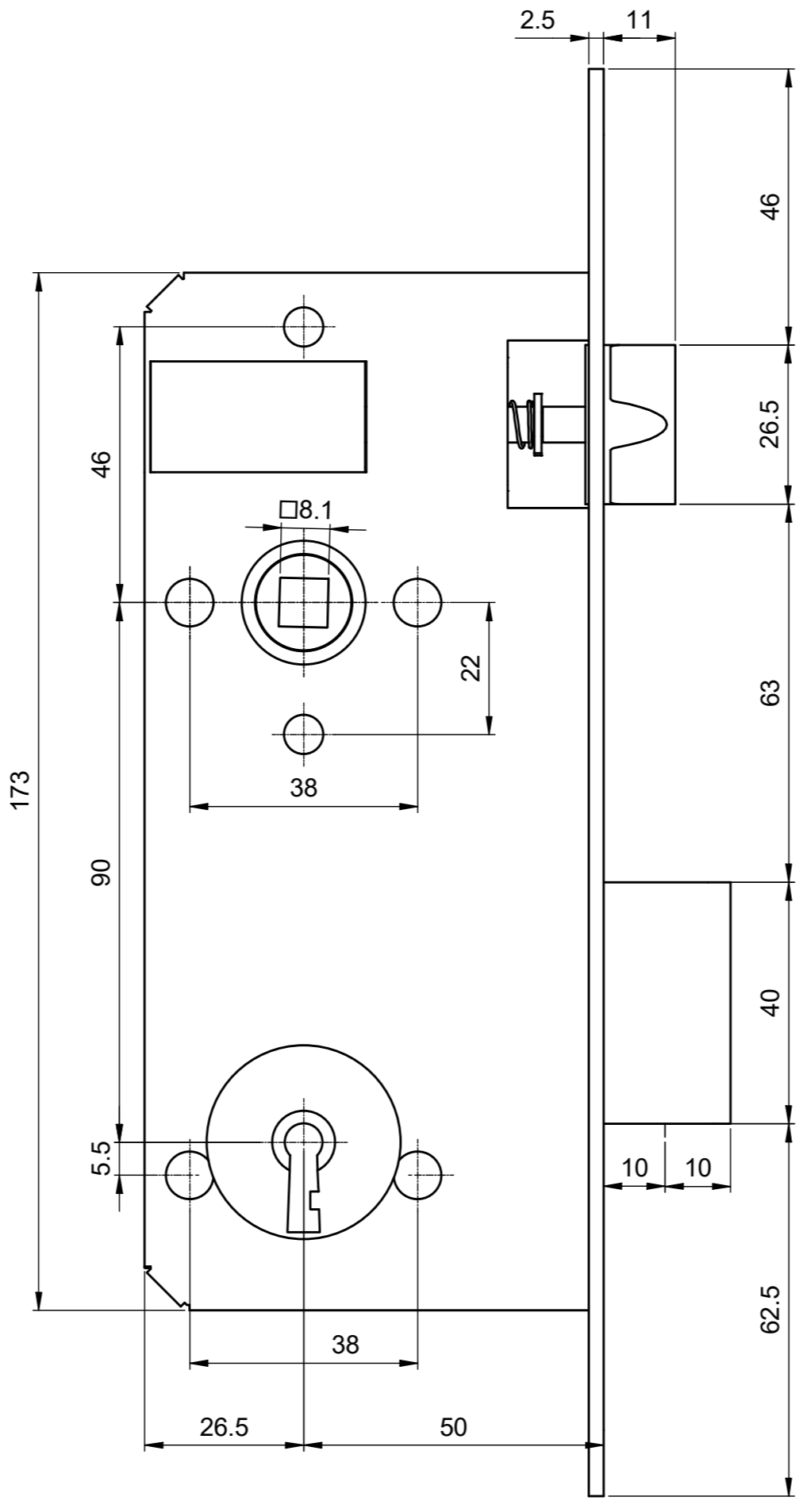


1	2	3	4	5	6	7	8	9	10	11
±0.05	±0.05	±0.05	±0.05	±0.05	±0.05	±0.05	±0.05	±0.05	±0.05	±0.05
±0.1	±0.1	±0.1	±0.1	±0.1	±0.1	±0.1	±0.1	±0.1	±0.1	±0.1
±0.2	±0.2	±0.2	±0.2	±0.2	±0.2	±0.2	±0.2	±0.2	±0.2	±0.2
±0.3	±0.3	±0.3	±0.3	±0.3	±0.3	±0.3	±0.3	±0.3	±0.3	±0.3
±0.4	±0.4	±0.4	±0.4	±0.4	±0.4	±0.4	±0.4	±0.4	±0.4	±0.4
±0.5	±0.5	±0.5	±0.5	±0.5	±0.5	±0.5	±0.5	±0.5	±0.5	±0.5
±0.6	±0.6	±0.6	±0.6	±0.6	±0.6	±0.6	±0.6	±0.6	±0.6	±0.6
±0.7	±0.7	±0.7	±0.7	±0.7	±0.7	±0.7	±0.7	±0.7	±0.7	±0.7
±0.8	±0.8	±0.8	±0.8	±0.8	±0.8	±0.8	±0.8	±0.8	±0.8	±0.8
±0.9	±0.9	±0.9	±0.9	±0.9	±0.9	±0.9	±0.9	±0.9	±0.9	±0.9
±1.0	±1.0	±1.0	±1.0	±1.0	±1.0	±1.0	±1.0	±1.0	±1.0	±1.0
±1.2	±1.2	±1.2	±1.2	±1.2	±1.2	±1.2	±1.2	±1.2	±1.2	±1.2
±1.5	±1.5	±1.5	±1.5	±1.5	±1.5	±1.5	±1.5	±1.5	±1.5	±1.5
±2.0	±2.0	±2.0	±2.0	±2.0	±2.0	±2.0	±2.0	±2.0	±2.0	±2.0
±2.5	±2.5	±2.5	±2.5	±2.5	±2.5	±2.5	±2.5	±2.5	±2.5	±2.5
±3.0	±3.0	±3.0	±3.0	±3.0	±3.0	±3.0	±3.0	±3.0	±3.0	±3.0
±4.0	±4.0	±4.0	±4.0	±4.0	±4.0	±4.0	±4.0	±4.0	±4.0	±4.0
±5.0	±5.0	±5.0	±5.0	±5.0	±5.0	±5.0	±5.0	±5.0	±5.0	±5.0
±6.0	±6.0	±6.0	±6.0	±6.0	±6.0	±6.0	±6.0	±6.0	±6.0	±6.0
±8.0	±8.0	±8.0	±8.0	±8.0	±8.0	±8.0	±8.0	±8.0	±8.0	±8.0
±10.0	±10.0	±10.0	±10.0	±10.0	±10.0	±10.0	±10.0	±10.0	±10.0	±10.0
±12.0	±12.0	±12.0	±12.0	±12.0	±12.0	±12.0	±12.0	±12.0	±12.0	±12.0
±15.0	±15.0	±15.0	±15.0	±15.0	±15.0	±15.0	±15.0	±15.0	±15.0	±15.0
±20.0	±20.0	±20.0	±20.0	±20.0	±20.0	±20.0	±20.0	±20.0	±20.0	±20.0
±25.0	±25.0	±25.0	±25.0	±25.0	±25.0	±25.0	±25.0	±25.0	±25.0	±25.0
±30.0	±30.0	±30.0	±30.0	±30.0	±30.0	±30.0	±30.0	±30.0	±30.0	±30.0
±40.0	±40.0	±40.0	±40.0	±40.0	±40.0	±40.0	±40.0	±40.0	±40.0	±40.0
±50.0	±50.0	±50.0	±50.0	±50.0	±50.0	±50.0	±50.0	±50.0	±50.0	±50.0
±60.0	±60.0	±60.0	±60.0	±60.0	±60.0	±60.0	±60.0	±60.0	±60.0	±60.0
±80.0	±80.0	±80.0	±80.0	±80.0	±80.0	±80.0	±80.0	±80.0	±80.0	±80.0
±100.0	±100.0	±100.0	±100.0	±100.0	±100.0	±100.0	±100.0	±100.0	±100.0	±100.0
±120.0	±120.0	±120.0	±120.0	±120.0	±120.0	±120.0	±120.0	±120.0	±120.0	±120.0
±150.0	±150.0	±150.0	±150.0	±150.0	±150.0	±150.0	±150.0	±150.0	±150.0	±150.0
±200.0	±200.0	±200.0	±200.0	±200.0	±200.0	±200.0	±200.0	±200.0	±200.0	±200.0
±250.0	±250.0	±250.0	±250.0	±250.0	±250.0	±250.0	±250.0	±250.0	±250.0	±250.0
±300.0	±300.0	±300.0	±300.0	±300.0	±300.0	±300.0	±300.0	±300.0	±300.0	±300.0
±400.0	±400.0	±400.0	±400.0	±400.0	±400.0	±400.0	±400.0	±400.0	±400.0	±400.0
±500.0	±500.0	±500.0	±500.0	±500.0	±500.0	±500.0	±500.0	±500.0	±500.0	±500.0
±600.0	±600.0	±600.0	±600.0	±600.0	±600.0	±600.0	±600.0	±600.0	±600.0	±600.0
±800.0	±800.0	±800.0	±800.0	±800.0	±800.0	±800.0	±800.0	±800.0	±800.0	±800.0
±1000.0	±1000.0	±1000.0	±1000.0	±1000.0	±1000.0	±1000.0	±1000.0	±1000.0	±1000.0	±1000.0
±1200.0	±1200.0	±1200.0	±1200.0	±1200.0	±1200.0	±1200.0	±1200.0	±1200.0	±1200.0	±1200.0
±1500.0	±1500.0	±1500.0	±1500.0	±1500.0	±1500.0	±1500.0	±1500.0	±1500.0	±1500.0	±1500.0
±2000.0	±2000.0	±2000.0	±2000.0	±2000.0	±2000.0	±2000.0	±2000.0	±2000.0	±2000.0	±2000.0
±2500.0	±2500.0	±2500.0	±2500.0	±2500.0	±2500.0	±2500.0	±2500.0	±2500.0	±2500.0	±2500.0
±3000.0	±3000.0	±3000.0	±3000.0	±3000.0	±3000.0	±3000.0	±3000.0	±3000.0	±3000.0	±3000.0
±4000.0	±4000.0	±4000.0	±4000.0	±4000.0	±4000.0	±4000.0	±4000.0	±4000.0	±4000.0	±4000.0
±5000.0	±5000.0	±5000.0	±5000.0	±5000.0	±5000.0	±5000.0	±5000.0	±5000.0	±5000.0	±5000.0
±6000.0	±6000.0	±6000.0	±6000.0	±6000.0	±6000.0	±6000.0	±6000.0	±6000.0	±6000.0	±6000.0
±8000.0	±8000.0	±8000.0	±8000.0	±8000.0	±8000.0	±8000.0	±8000.0	±8000.0	±8000.0	±8000.0
±10000.0	±10000.0	±10000.0	±10000.0	±10000.0	±10000.0	±10000.0	±10000.0	±10000.0	±10000.0	±10000.0

Drawn on computer, modifications by hand are not allowed!
 This document is in the property of KALE KILIT ve KALIP SANAYI A.Ş.
 All rights reserved. No part of this document may be reproduced, stored in a retrieval system, or transmitted in any form or by any means, electronic, mechanical, photocopying, recording, or by any information storage and retrieval system, without written authority from the proprietor.



Gövde Tipi Case Type
Kapalı Closed



Karşılık
Kalınlık: 1.5 mm
Striking plate
Thickness:1.5 mm

Sembol Index	Tarih Date	Model Değişiklik No E.C.R. No	Değişiklikler Revisions		Çizen Drawn	Kontrol Checked
Model/Model:						
Malzeme/Material:						Ölçek/Scale:
Genel Tol./Gen.Tol	DIN ISO 2768-1	Tarih/Date	İmza/Signature	Parça Adı/Part Name		
Çizen/Drawn						
Kontrol/Checked						
Onay/Approved						
Resim No/Drawing No:			Parça No/Part No: 151 T50			