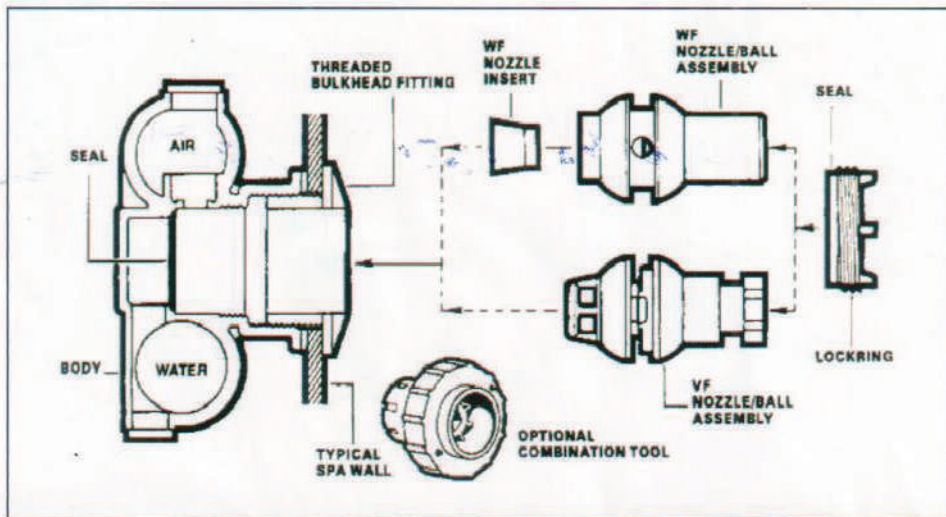


## 50/50 HYDROTHERAPY JET

Water and Air Connection 50mm  
Product Code: FNL34.B  
Basic Jet Body Illustrated with VF Nozzle/Ball  
Assembly Installed



### INSTRUCTIONS

1 The Nozzle/Ball Assembly should already be inserted into the Body, or please insert Nozzle/Ball Assembly into the Body.

Note: Be sure to check that the Seal is secure in the rear of the Body.

2 Thread in Lockring using finger grips, needle nose pliers inserted into the holes in the Lockring, or optional Combination Tool. Hand tighten only.

3 The Nozzle/Ball Assembly can be directed/aimed by pushing the end of the nozzle in the desired direction.

Note: if the nozzle is hard to move, do not force. Loosen Lockring slightly to allow ball to rotate.

4 The VF air/water flow can be adjusted by turning the end of the nozzle clockwise (less flow) or counter-clockwise (more flow).

5 The WF Nozzle Insert can be removed to change the flow. Before placing the Nozzle/Ball Assembly into the Body, push your finger into front of nozzle to snap out Insert.

Note: Removing the Insert may reduce the flow to the other jets.