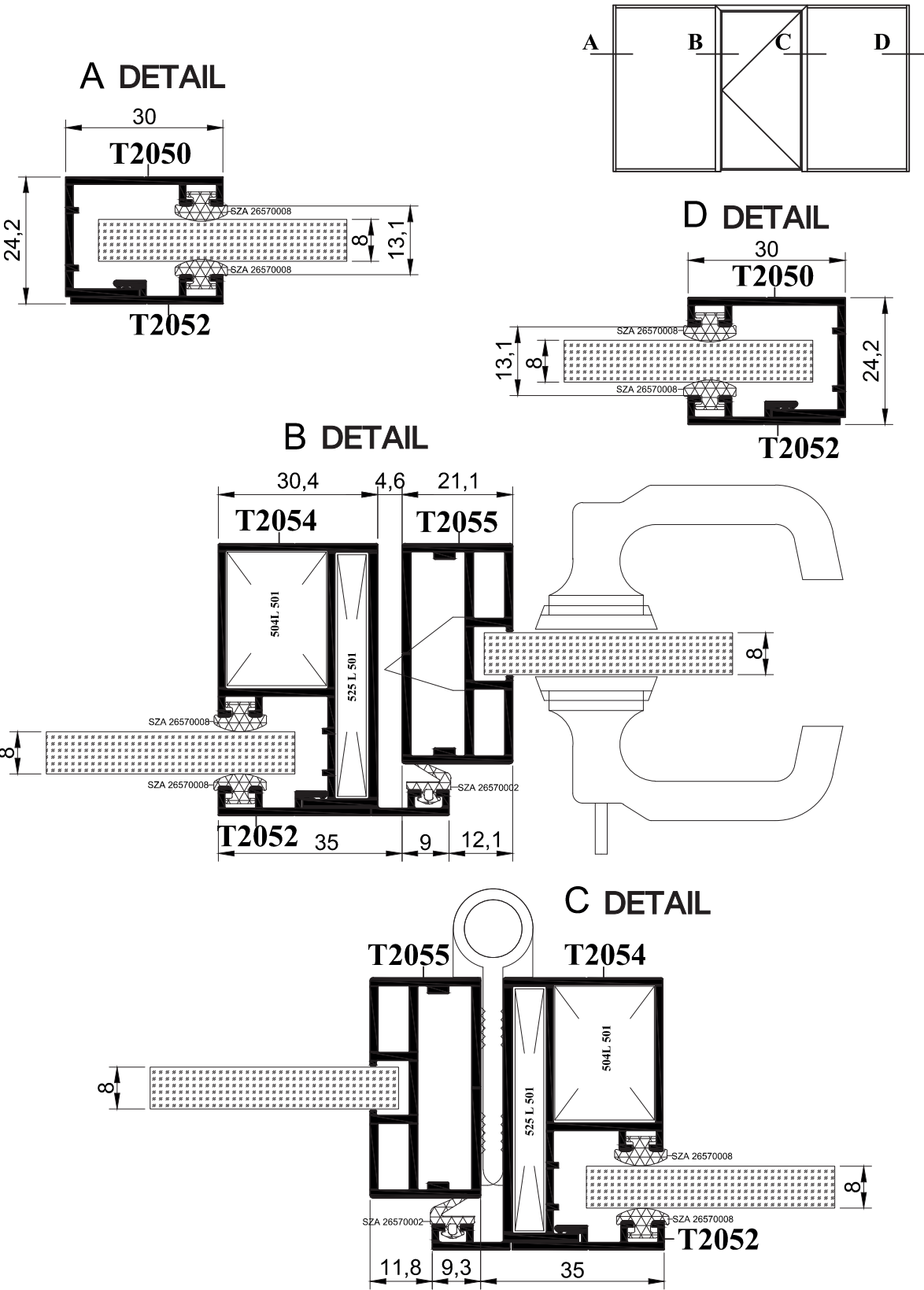


**OFFICE
SECTION 24**

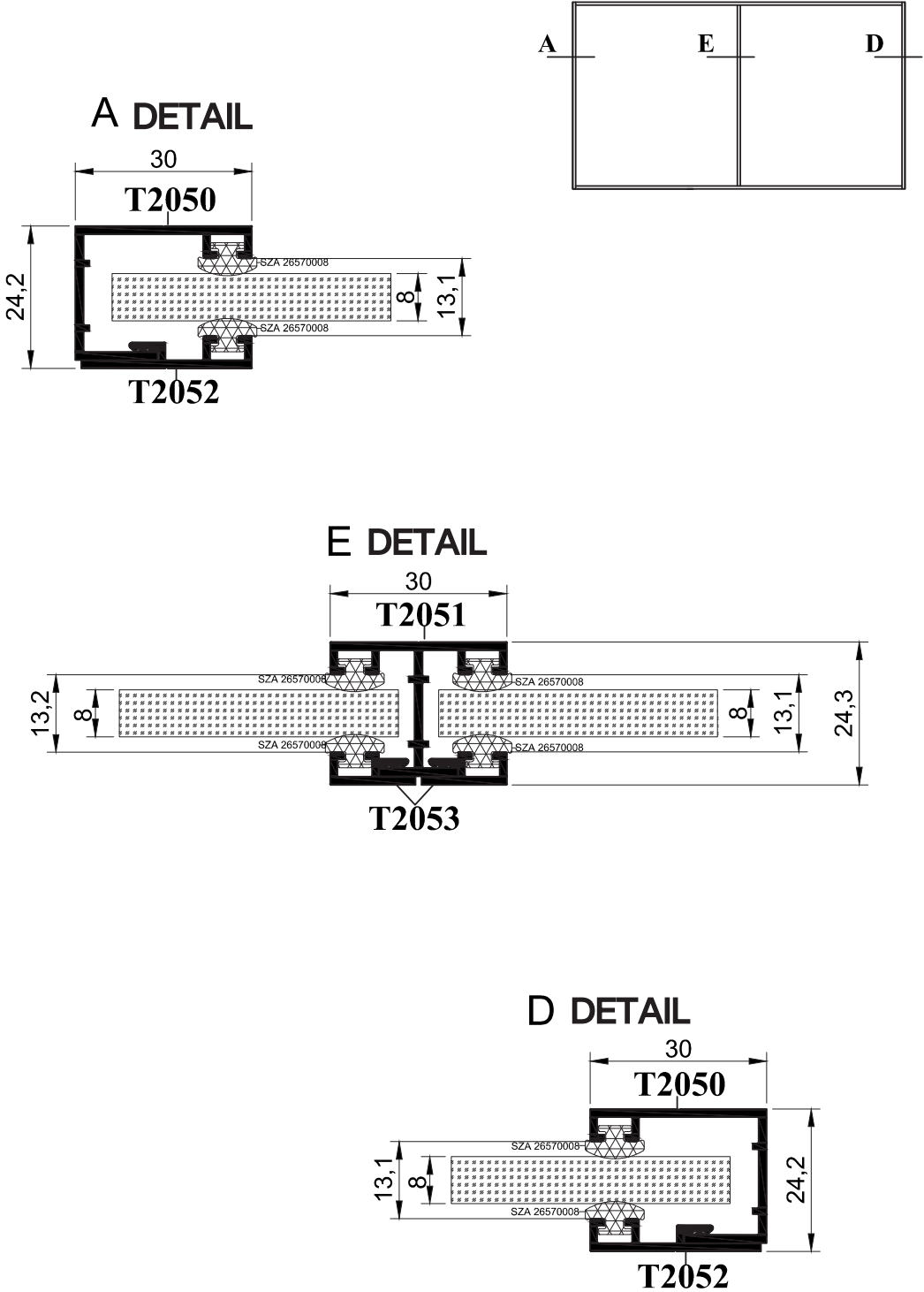
Office Section 24

INSTALLATION DETAIL

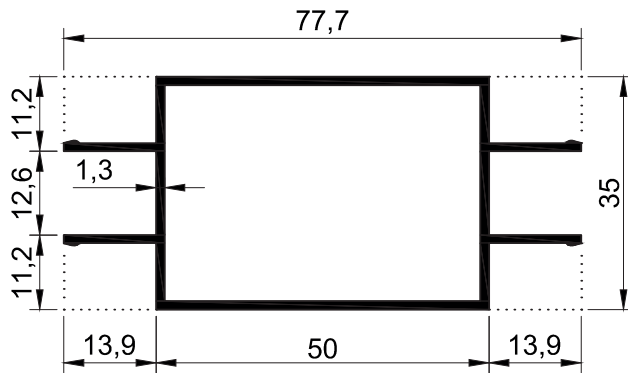


Office Section 24

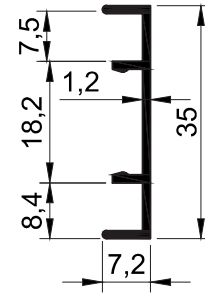
INSTALLATION DETAIL



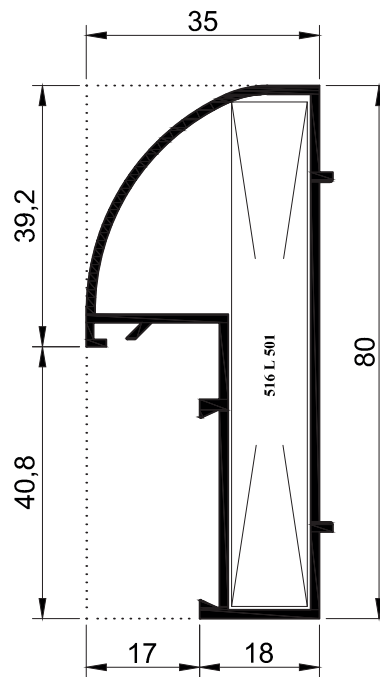
SYSTEM PROFILES



T600 - 0.830 kg/mt



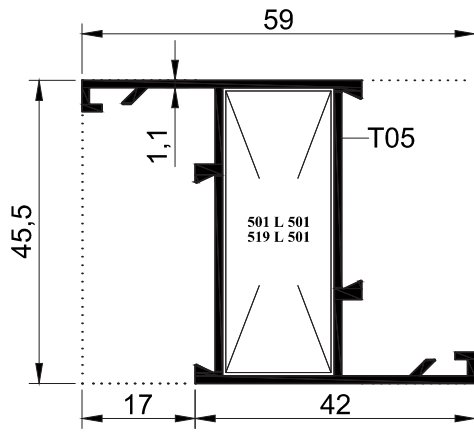
T601 - 0.180 kg/mt



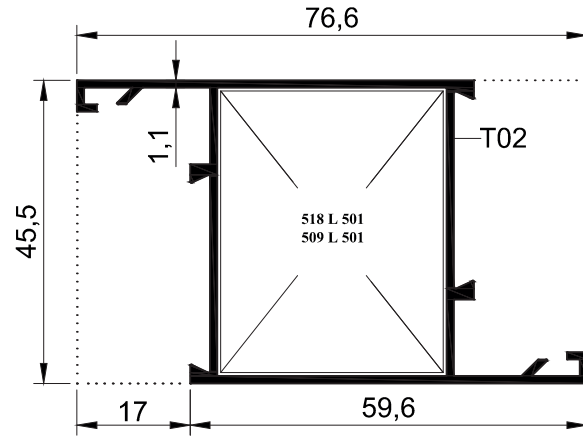
T602 - 0.740 kg/mt

Profile Code	Corner PR. Code	CUTTING HEIGHT, mm	Accessory Code
T602	L. 516	75,5	516 L. 501

VENT PROFILES



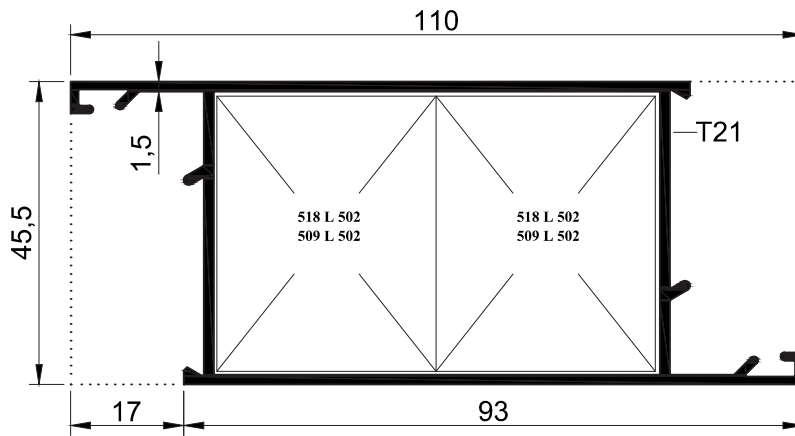
A45 Z 01 - 0.600 kg/mt



A45 Z 02 -1.1mm.-0.680 kg/mt

A45 Z 02 -1.5mm.-0.893 kg/mt

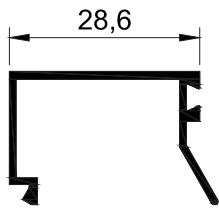
A45 Z 02 -2.0mm.-1.098 kg/mt



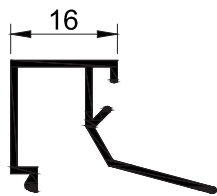
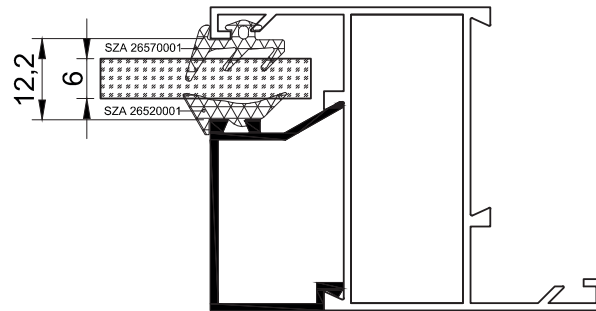
A45 Z 03 - 1.265 kg/mt

Profile Code	Corner PR. Code	CUTTING MEAS. mm	Accessory Code
A45 Z 01	L 501	43,0	501 L 501
	L 519	43,0	519 L 501
A45 Z 02	L 509	43,0	509 L 501
	L 518	43,0	518 L 501
A45 Z 03	L 509	42,0	509 L 502
	L 518	42,0	518 L 502

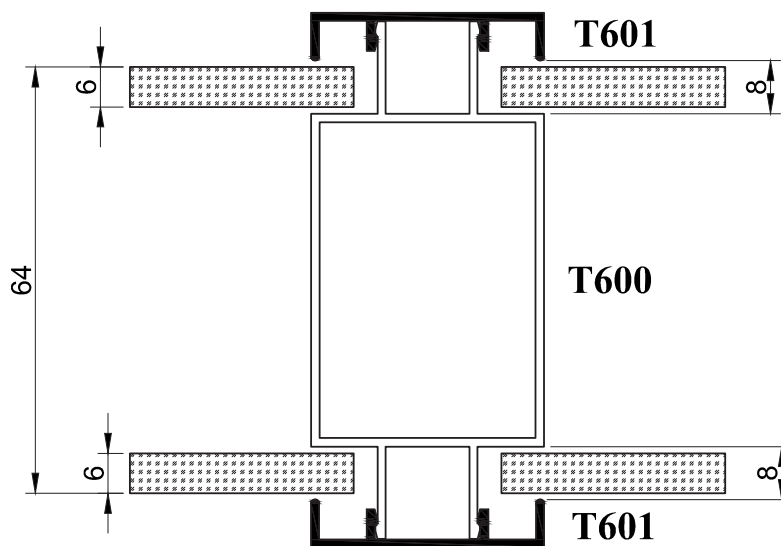
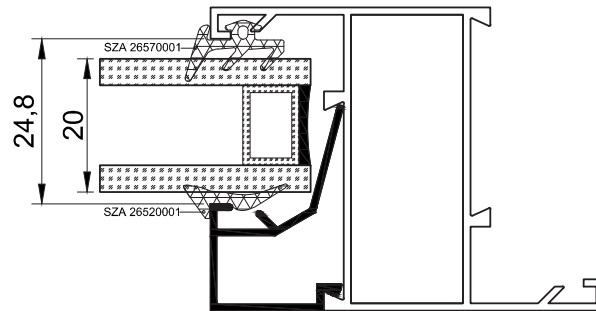
GLAZING BEAD PROFILES



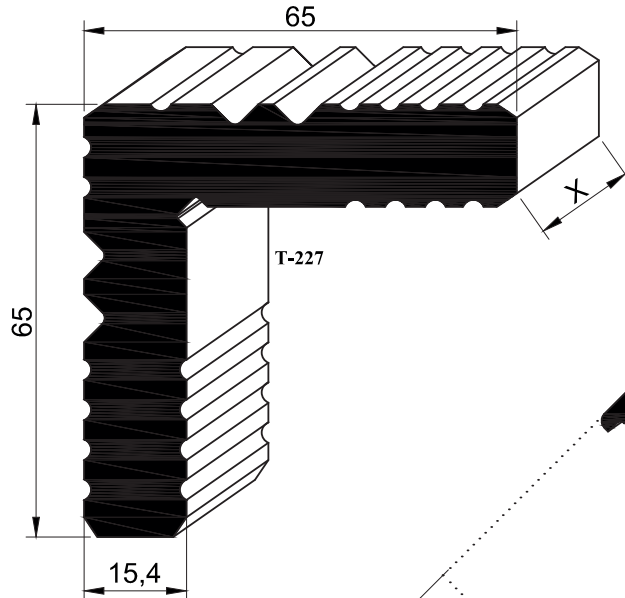
T13 - 0.205 kg/mt



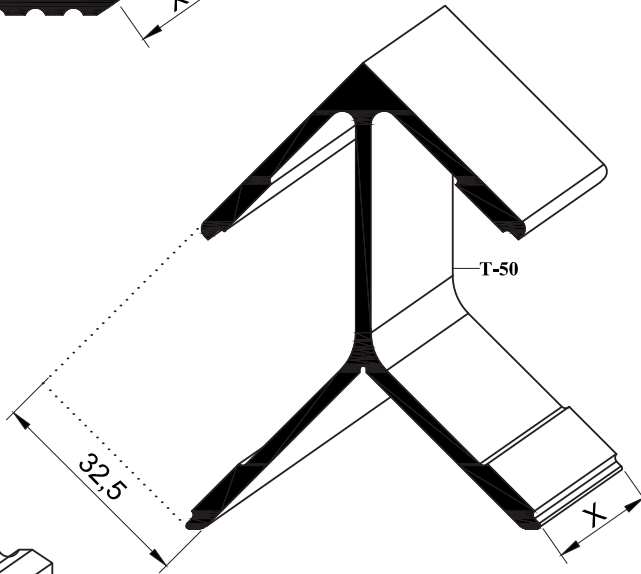
T14 - 0.215 kg/mt



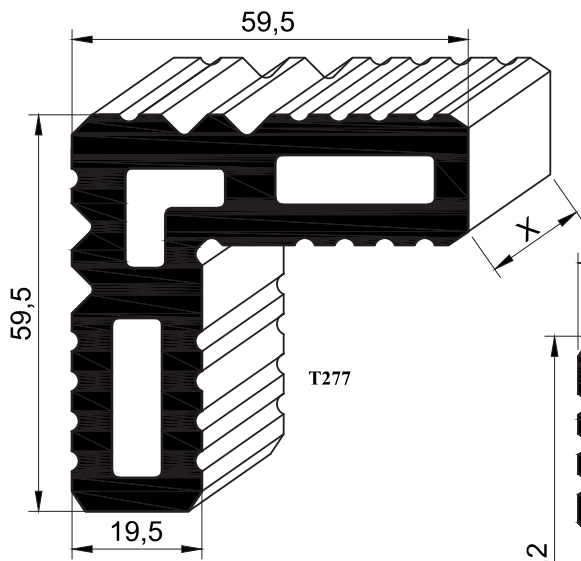
CONNECTION PROFILES



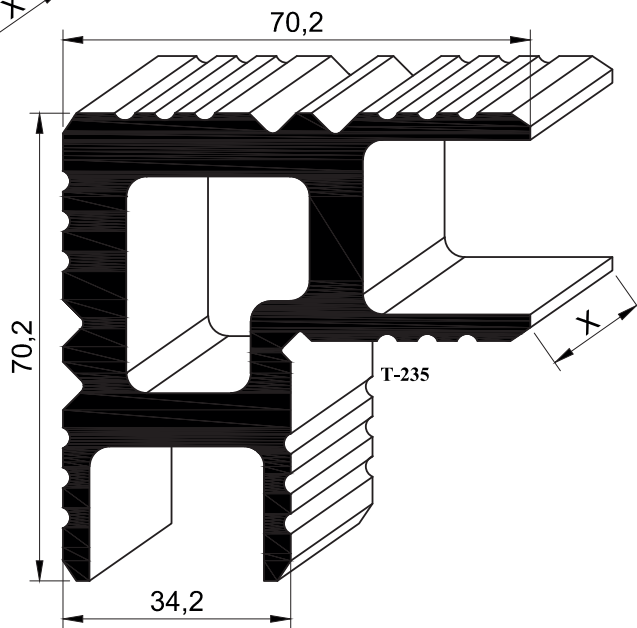
T501 - 4.460 kg/mt



T518 - 1.230 kg/mt

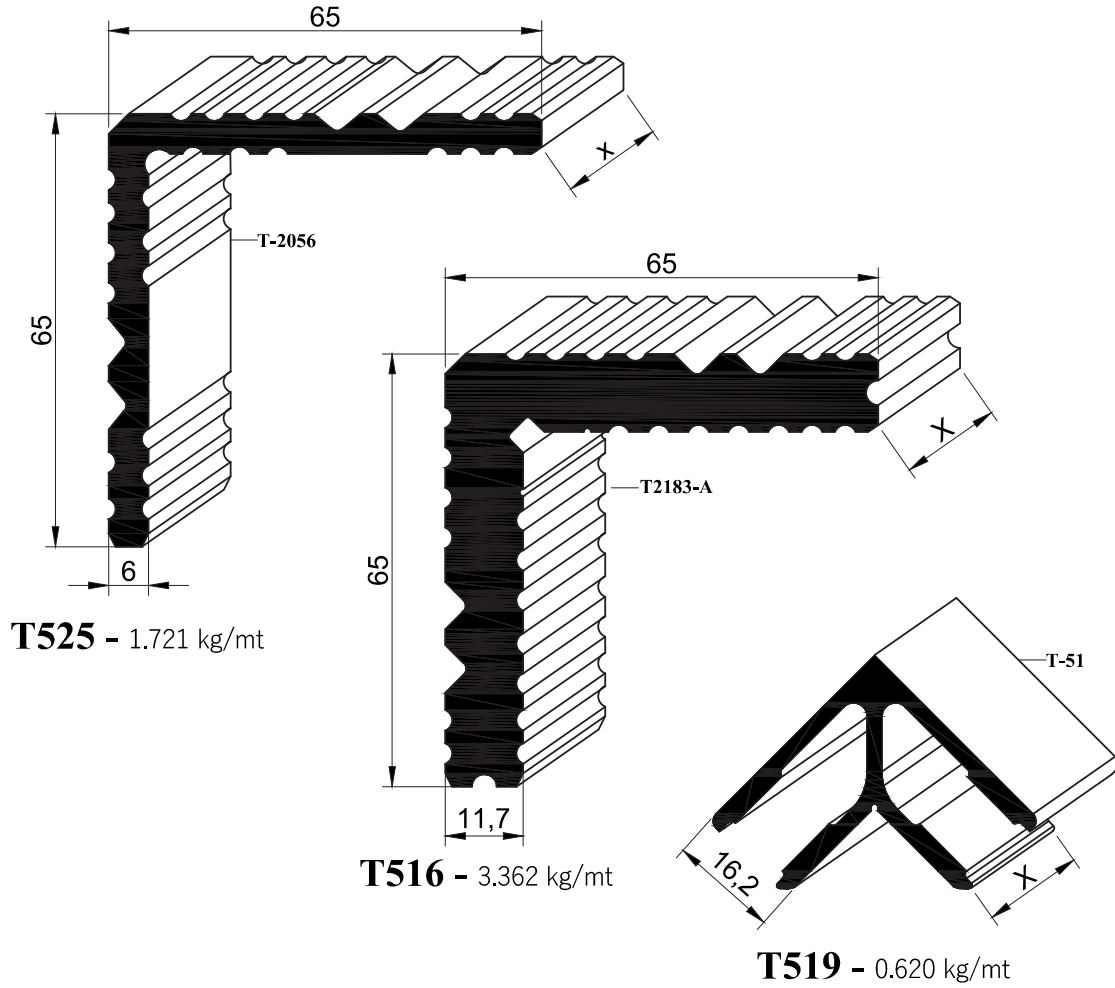


T504 - 3.622 kg/mt





T509 - 4.255 kg/mt

CONNECTION PROFILES

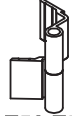


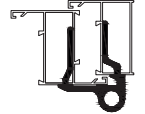

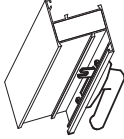

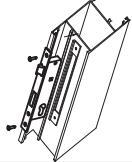
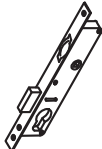
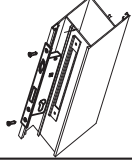

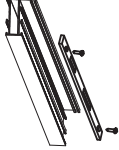

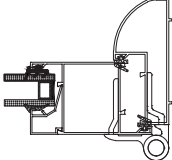

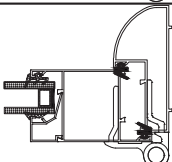

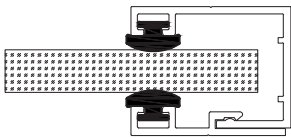


Connection Cut Measurements

Profile Code	 Corner PR. Code	CUTTING MEAS. mm	 Accessory Code
A45 Z 01	L 501	43,0	501 L 501
	L 519	43,0	519 L 501
A45 Z 02	L 509	43,0	509 L 501
	L 518	43,0	518 L 501
A45 Z 03	L 509	42,0	509 L 502
	L 518	42,0	518 L 502
T2054	L 525	46,5	525 L 501
T2054	L 504	25,8	504 L 501

Office Section 24

SYSTEM ACCESSORIES

Drawing	Code	Place Of Application
 T56-T57	Aldox Bursa Hinge SZA 10103001	
 T58-T59	Aldox Hingg With Joint SZA 10105001	
	AxioI Handle SZA 09108001	
	Mortise Lock 25 mm. SZA 20111225	
	Mortise Lock With Roller 25 mm. SZA 20112225	
	Striker Mortise Lock SZA 12101001 Mortise Lock With Roller SZA 12102001	
	SZ-N1 Outer Glass Gasket SZA 26570001	
	SZ-N2 Wing Gasket SZA 26570002	
	SZ-N8 Glass Gasket SZA 26570008	

Office Section 24

INSTAALATION DETAIL

